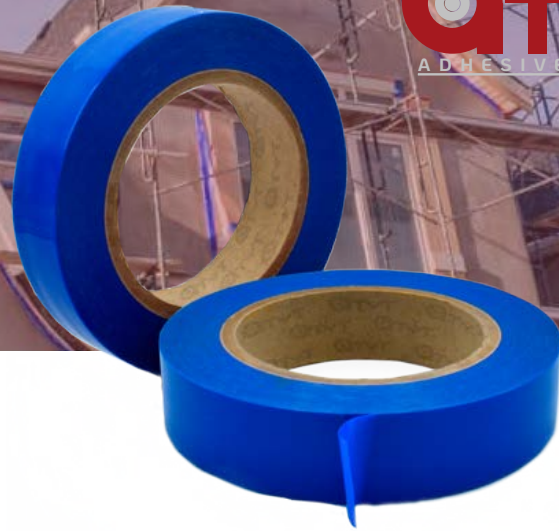


30 DAYS UV-RESISTANT BLUE STUCCO MASKING TAPE



KEY FEATURES

- Highly conformable. It adapts perfectly to all types of contours - straight and curved - regardless of irregularities in its shape and without causing the tape to lift off the surface.
- Resists temperatures of 60 °C in continuous and 80 °C for short exposures.
- Does not leave traces of adhesive mass on the applied surface.
- Provides a moisture resistant airtight seal in many containment situations.
- Tape with a high degree of versatility that can be applied in a multitude of different types of applications.
- Can be applied on the surface for up to 30 days, guaranteeing the preservation of all the adhesive properties.
- Easy manual tearing allowing an easy removal of the product.
- Resistant to UV rays up to 30 days.

Low-density blue PE tape, coated with a rubber adhesive designed to be used on outdoor environments, guaranteeing its correct application and removal from the application surface up to 30 days after being applied, ensuring the preservation of all the adhesive properties of the product and without leaving any type of adhesive residue.

The main purpose of this product is based on the **masking and protection of surfaces where stucco or any other type of material is used to cover the walls during the construction or renovation of structures.**

Available colors:



PRODUCT COMPOSITION



CARRIER
PE

ADHESIVE TYPE
Rubber

TECHNICAL CHARACTERISTICS

ADHESIVE PROPERTIES	VALUES	METHOD
Total thickness	115 µm	ASTM D-3652
Adhesion to steel	≥ 3,6 N/cm	ASTM D-3759
Service temperature range	[-10°C - +60°C]	INTERNAL
Maximum temperature resistance	+80°C	INTERNAL (Cycles of 30 min)

The given values are typical values obtained in specific conditions of temperature, loads and adhesive surface determined by norm. The user must determine if the tape is suitable for their specific application by testing the product. In case help is needed, ATyT will provide you with professional customer support and recommendation, indicating which tape suits best your needs.





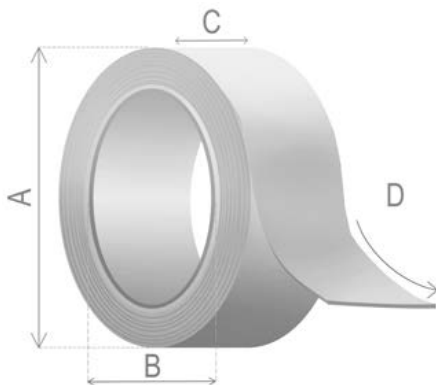
APPLICATIONS

- Used on all types all types of surfaces, both smooth and rough: aluminum, wood, metal, plastic, glass, vinyl, ...
- Suitable for painted walls and trim applications.
- Applications on indoor and outdoor environments.
- Masking and temporary protection of elements.
- Essential tool for those who install stucco, masonry, insulation elements and other components during construction projects.



Surfaces to which tape is applied should be clean, dry and free of grease, oil, moisture, dirt and other contaminants. Sufficient pressure should be applied during application. If not, it will affect the properties and appearance of the product.

STANDARD PRESENTATION:



Outer diameter (A)	120 mm	
Core diameter (B)	76 mm	
Width (C)	25 mm	50 mm
Length (D)	50 m	

Any other length and width available on request. Check conditions. The product can be supplied with a multitude of different types of presentation (see conditions). Among others, we highlight: the personalization of the core, the personalized plastic packaging, the shrink wrapping and the labeling of the tape.



STORAGE CONDITIONS

For better conservation of properties, product should be stored in its original packaging, between 20 and 30° C, preserved from direct exposure to sun and moisture. It is recommended to use the product within 12 months, since dispatching date.



GENERAL WARRANTY CONDITIONS

ATyT recommends applying the product only on clean, dry and free of grease, oil or other contaminants surfaces.

Product properties are typical and should not be considered specifications. They are based on tests believed to be reliable and performed conformance with recommended test methods. Values are expected to be used for comparison purposes only; they do not represent a manufacturer guarantee. Before using, the client should determine whether the product is fit for a particular purpose and for the user's method of application.

